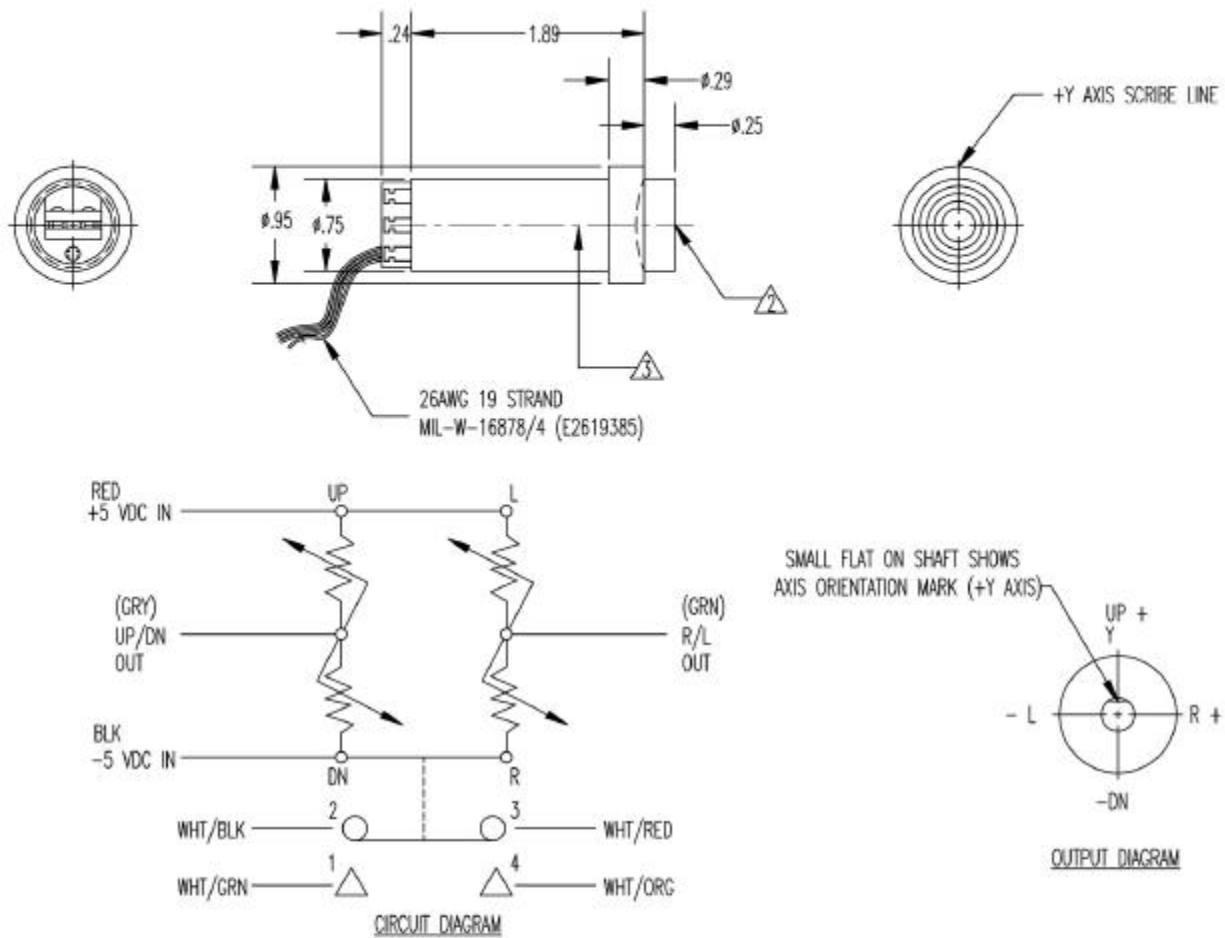


## FORCE SWITCH CORP.

### Capabilities



# Engineered Excellence

---

## Improving Performance

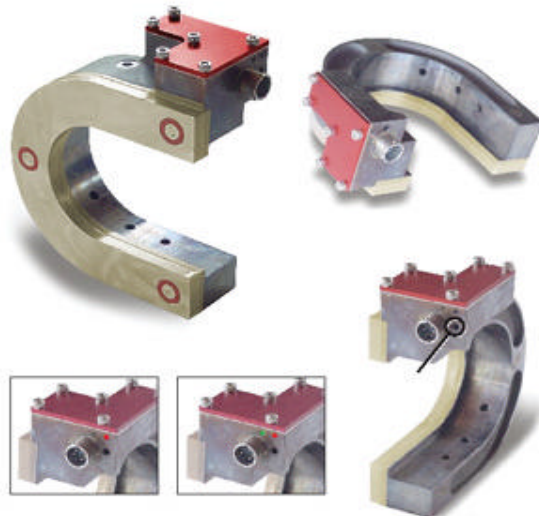
**Force Switch Corp.** designs and manufactures integrated systems that combine precision force activated, weight activated and liquid level sensors with intelligent control outputs that deliver cutting edge solutions for aerospace, medical and transportation applications.

### **A true COTS supplier, with a twist.**

**Force Switch** engineers work with your project team to create the most ideal solution for your application. We take your or our standard products, improve the design and production process, and then build them to the highest standards and quality.

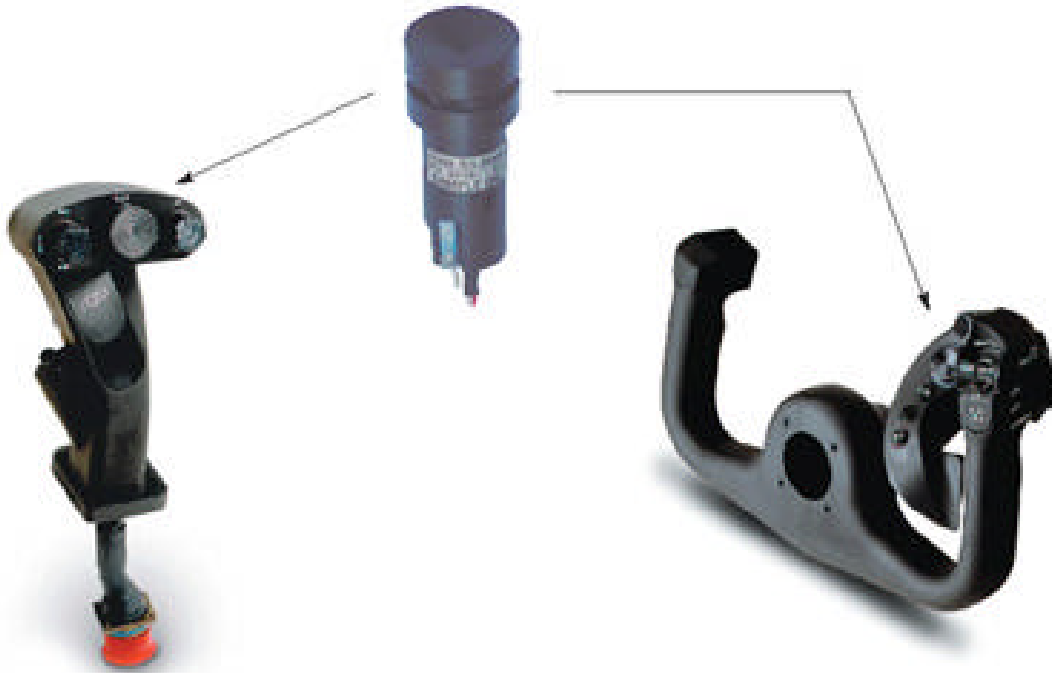
These innovative designs still reflect the cost of COTS but deliver the custom solution COTS can't deliver. **Force Switch**

- Backs all designs with superior service and support. We are with your project engineers through the entire design phase, incorporating ease of manufacturing and testing into the design.
- Evaluates all stages of the manufacturing process to ensure the highest quality devices and systems are built
- Participates in design reviews for compliance to your assembly and test standards
- Complies with all applicable MIL-STD, Medical or Commercial standards and documentation



Locked-in-place COTS sensor used to confirm drogue hose is fully retracted. Output signal conformed with MIL-STD.

---



Our force transducer is used to bring real-time flight dynamics to UAVs. Before our design, the joystick acted like a computer mouse, not a flight controller. Our design made flying the UAV more responsive and let pilots feel like they were in the aircraft.

## Where We Came From Drives Where We Are Going

Founded as its own company in 2002, **Force Switch** traces its roots back to 1986 when it began as the mil-aerospace division of Muse Measurements. Establishing a solid reputation for delivering innovative force actuated solutions for many non-traditional applications, **Force Switch** has extended its reach into medical and pharmaceutical-qualified force activated limit switches.

Today, **Force Switch** load cells, limit switches, force activated switches and sensors are used for a variety of control, positioning, and measurement applications in medical, military, aerospace and railroad applications.

---

## Unsurpassed Quality / On Time

---

Force Switch delivers **MIL-Std and Medical-qualified devices** and integrated assemblies. We ensure our suppliers and subcontractors maintain our same high standards. All of our suppliers aggressively compete to be the lowest total cost supplier of equipment, taking into account not only the initial purchase price, but installation, life cycle, support, and maintenance costs.

Our modern production practices ensure that we deliver a product on-time, on-budget, in-spec whether it is a single unit or a full production run.



Force Switch Corp.  
P.O. Box 3503  
San Dimas, CA 91773

Tel: 909.593.2306  
[www.forceswitch.com](http://www.forceswitch.com)  
Email: [info@forceswitch.com](mailto:info@forceswitch.com)

